



Euroshop 2026

V.ENG

Introduction

Welcome to the new **Marsanz** catalogue, a reflection of our experience, innovation, and commitment to quality. After more than six decades supporting the retail industry, we continue to evolve, delivering solutions that meet the current needs of the point of sale and enhance the shopping experience.

Within these pages, you will find a selection of products designed to combine functionality, durability, and design, along with new solutions focused on efficiency, security, and the digital transformation of retail. A catalogue that looks to the future while remaining true to the values that have defined **Marsanz** since its origins.



Supermarket Shopping trolley 5-12

100 L Multigrip Full Plastic Trolley	5
100 L Multigrip Hybrid Trolley	6
220 L ATH Polysteel Hybrid Trolley	7
145 L Smart Trolley	8
248K Metal Tubular Frame Trolley	9
185 L Metal Tubular Frame Trolley	10
90 L Metal Tubular Frame Trolley	11
140 L Cash & Carry "B" Trolley	12

Transport Trolleys 14-18

Mix Trolley with seat & panel holder	14
STD Trolley with treated wooden base	15
TR5 STD Trolley	16
Nestable Panel-holder trolley	17
Techno-DIY Trolley	18

Goods Trolleys and containers 20-27

Goods Trolleys	20
600x600 Goods Trolleys	21
Postal Trolley	22
Light Picking Trolley	23
Laundry Roll Tainer	24
Nestable Security 4 Sides Roll Tainer	25
STD Pleg Wire Container	26
Metre Container With Wheels	27

Technical Specifications 28-29

Plastic Trolleys	28
Metal Trolley	29

Supermarket Shopping Trolleys

100L Full Plastic Multigrip

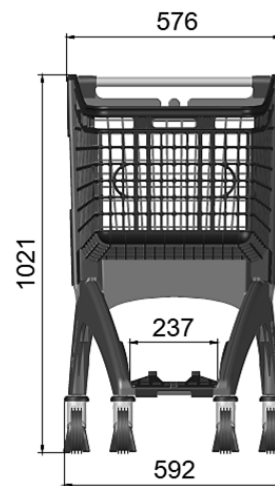
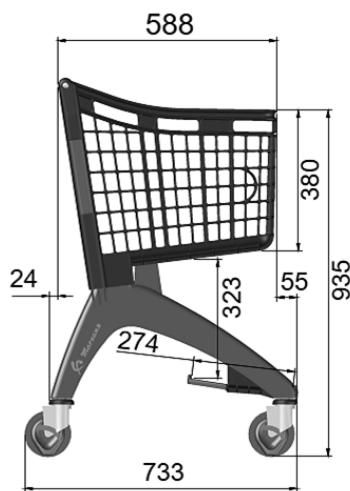


New raised compact basket made of 100% reinforced polypropylene, lightweight and highly durable, suitable for both small and large retail formats. Equipped with a Ø125 mm wheel platform and fully compatible with travelators.

Manufactured from recyclable plastic and free of metal components, it protects store surfaces, extending their service life and reducing maintenance and replacement costs. Its sustainable design also contributes to shrinkage reduction. Customization options include bottle racks and a side coin lock system.



Dimensions



Technical specifications

- Length (mm): 587 Plat. +79
- Width (mm): 576
- Height (mm): 1017
- Nesting distance (mm): 195
- Space for 5 trolleys (m): 1.42
- Space for 10 trolleys (m): 2.39
- Space for 15 trolleys (m): 3.37
- Space for 25 trolleys (m): 5.31
- Weight: 12 kg
- Basket Volume: 100 L
- Basket maximum load: 100 kg
- Bottle rack maximum load: 15 kg
- Total maximum load: 115 kg

Accessories

Logo
Scan holder
Cup holder
Multigrip side coin lock
Front bottle rack
Advertising sign holder

Wheels



R3 - 125Ø



R4 - 125Ø



R8 - 125Ø

Colors

	RAL 5002
	RAL 3000
	RAL 6029
	RAL 7015
	RAL 9005

* Plastic platform in RAL 7015 standard

* Other colours to consult

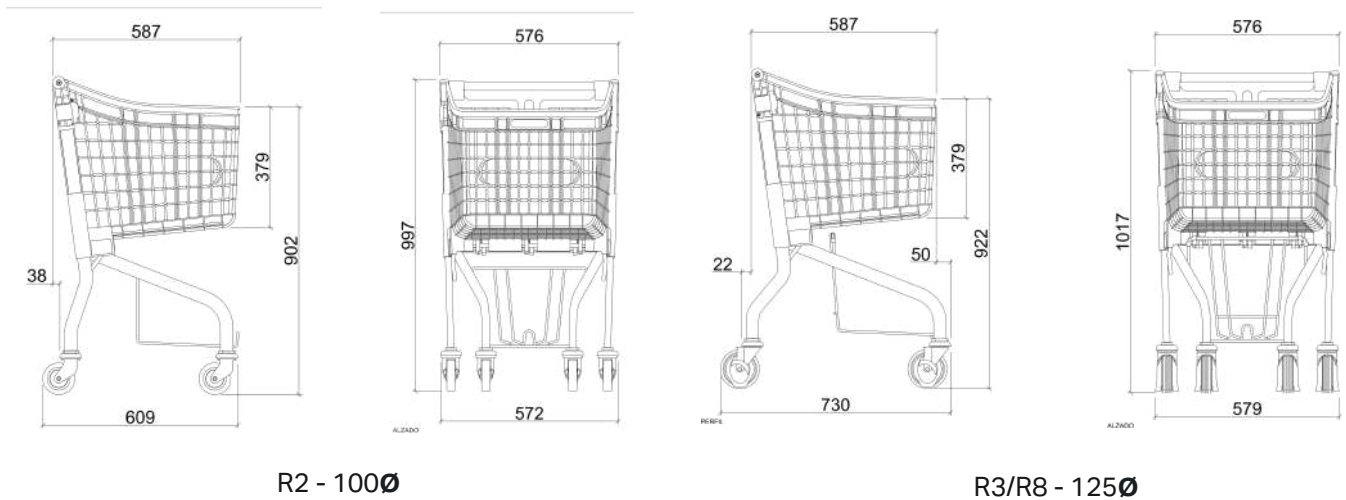
100 L Hybrid Multigrip

Compactly designed 100-liter basket, engineered to facilitate shopping in both small stores and large retail environments. Its structure allows smooth maneuverability in narrow aisles and high-traffic areas, enhancing user comfort.

Available with two metal platform options: for Ø100 mm wheels and Ø125 mm wheels, the latter being suitable for use on metal ramps.



Dimensions



Technical specifications

R2 - 100Ø

- Length (mm): 587
- Width (mm): 576
- Height (mm): 997
- Nestable Height (mm): 125
- Space for 5 trolleys (m): 1.09
- Space for 10 trolleys (m): 1.71
- Space for 15 trolleys (m): 2.34
- Space for 25 trolleys (m): 3.59

R3/R8 - 125Ø

- Length (mm): 587 PLAT+79
- Width (mm): 576
- Height (mm): 1017
- Nestable Height (mm): 195
- Space for 5 trolleys (m): 1.42
- Space for 10 trolleys (m): 2.39
- Space for 15 trolleys (m): 3.37
- Space for 20 trolleys (m): 5.32

- Weight: 14 kg
- Basket Volume: 100 L
- Basket maximum load: 100 kg
- Bottle rack maximum load: 15 kg
- Total maximum load: 115 kg

Accessories

Logo
Scan holder
Cup holder
Multigrip side coin lock
Front bottle rack
Advertising holder

Wheels



R3 - 125Ø



R4 - 125Ø



R8 - 125Ø

Colors

	RAL 5002
	RAL 3000
	RAL 6029
	RAL 7015
	RAL 9005

* Other colours to consult

Hybrid Polysteel 220 L

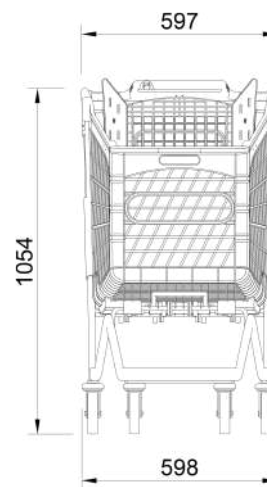
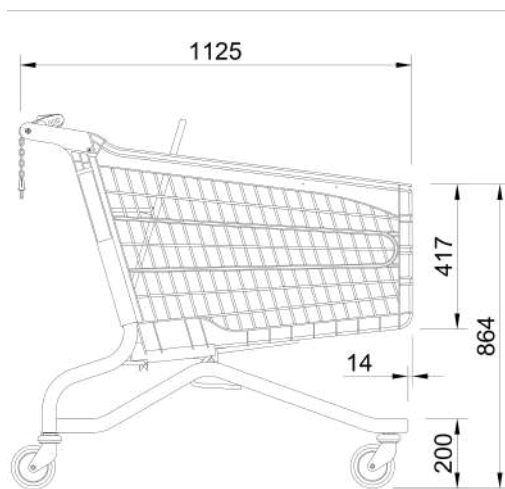
Supermarket trolley featuring a basket made of polypropylene polymer and a tubular metal platform.

The platform can be equipped with different types of wheels to adapt the trolley to various floor surfaces.

The trolley handle is available in either metal tube or thermoplastic polymer.








Dimensions



Technical specifications

- Length (mm): 1125
- Width (mm): 598
- Height (mm): 1054
- Nestable Height (mm): 255
- Space for 5 trolleys (m): 2.15
- Space for 10 trolleys (m): 3.42
- Space for 15 trolleys (m): 4.69
- Space for 25 trolleys(m): 7.25
- Weight: 21.1 kg
- Basket Volume: 220 L
- Basket maximum load: 220 kg
- Bottle rack maximum load: 15 kg
- Total maximum load: 235 kg

Colors

	RAL 5002
	RAL 3000
	RAL 6029
	RAL 7015
	RAL 9005

* Otros colores consultar

Wheels



R3 - 125Ø



R4 - 125Ø



R8 - 125Ø

Handles and coin locks

Variloc coin lock
Smartloc coin lock
Euroloc coin lock
Starting chain
Round handle
Ergogrip handle
Ergobox handle
Standard endcap
Plus endcap

Accessories

Logo
Scan holder
Individual scan holder
Cup holder
Grill base
Location Flag

Basket divider
Advertising holder
Wire cradle
Baby cradle
Foldable bottle rack

145L Smart Trolley

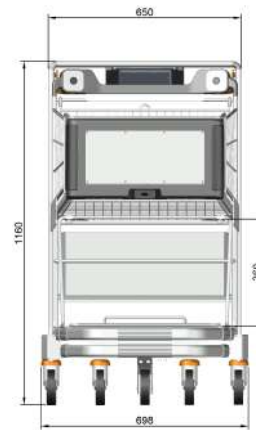
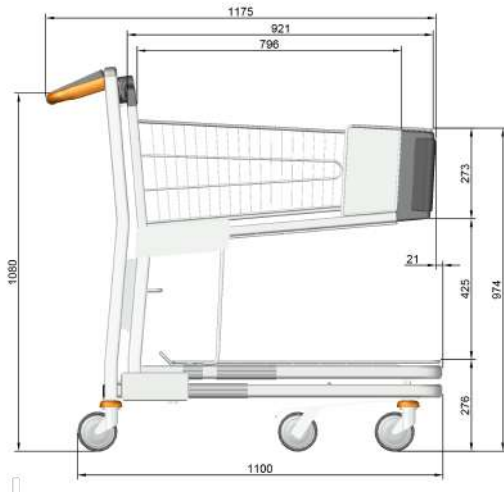


Designed to transform the shopping experience through an autonomous product scanning and weighing system. It allows customers to register items directly during their shopping, streamlining the process and reducing checkout waiting times.

An innovative solution that optimizes point-of-sale management, enhances operational efficiency, and delivers a faster, more comfortable, and modern shopping experience. The smart trolley integrates seamlessly into supermarket environments, providing control, security, and added value for both customers and retailers.



Dimensions



Technical specifications

- Length (mm): 1061
- Width (mm): 608
- Height (mm): 1064
- Nesting distance (mm): 350
- Space for 5 trolleys (m): 2.46
- Space for 10 trolleys (m): 4.21
- Space for 15 trolleys (m): 5.96
- Space for 25 trolleys (m): 9.46

- Weight: 55 kg
- Basket volume: 145 L
- Grill base maximum load: 50 kg
- Total maximum load: 145 kg

Wheels



R3 - 125Ø



R8 - 125Ø



R4 - 125Ø

248 K Tubular Frame Trolley

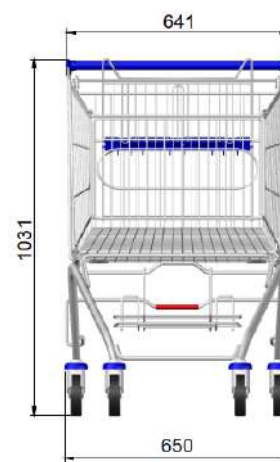
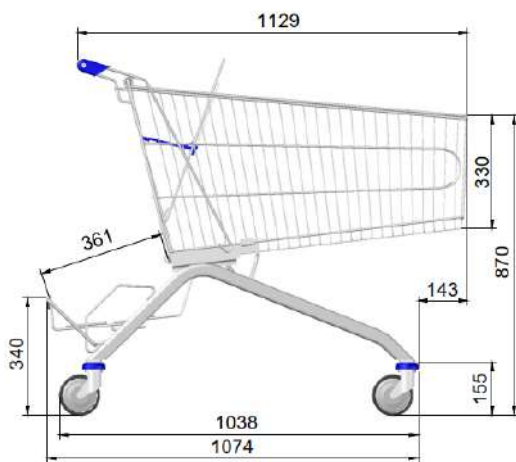


Tubular frame supermarket shopping trolley with a total load capacity of 248 kg, distributed between its 212-liter basket and large bottle rack (36 kg).

Designed with greater height and width to optimize load distribution. Ideal for supermarkets, hypermarkets, and other large retail environments.



Dimensions



Technical specifications

- Length (mm): 1061
- Width (mm): 600
- Height (mm): 999
- Nesting distance (mm): 230
- Space for 5 trolleys (m): 1.98
- Space for 10 trolleys (m): 2.01
- Space for 15 trolleys (m): 4.21
- Space for 25 trolleys (m): 6.41
- Weight: 27 kg
- Basket volume: 181.5 L
- Bottle rack maximum load: 15 kg
- Total maximum load: 196.5 kg

Wheels



R3 - 125Ø



R8 - 125Ø



R4 - 125Ø

Accessories

Logo
Corner protections & basket profile
Bag hook
Advertising holder
Promobox
Bottle rack

Individual scan holder
Baby seat
Double function seat
Baby cradle
Wire cradle

Handles and coin locks

Variloc coin lock
Smartloc coin lock
Euroloc coin lock
Starter chain
Standard round handle
Ergogrip oval handle
Relaxt handle
Ergostick endcaps + round handle
Ergostick endcaps + Relaxt handle

185 L ATH Tubular Metal



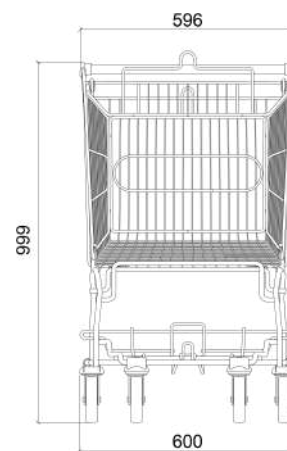
Tubular metal trolley with basket, platform and metal grids, designed for safe and anti-theft use.

Includes an anti-theft platform with wheels adaptable to different surfaces and a handle available in metal tube or thermoplastic material.

It has a capacity of 185 liters and is suitable for supermarkets, hypermarkets and other retail environments.



Dimensions



Technical specifications

- Length (mm): 1131
- Width (mm): 608
- Height (mm): 931
- Nesting distance (mm): 220
- Space for 5 trolleys (m): 2.01
- Space for 10 trolleys (m): 3.11
- Space for 15 trolleys (m): 4.21
- Space for 25 trolleys (m): 6.41
- Weight: 23 kg
- Basket volume: 181.5 L
- Seat maximum load: 15 kg
- Bottle rack max. load: 20 kg
- Total maximum load: 201.5

Wheels



R3 - 125Ø



R8 - 125Ø



R4 - 125Ø

Accessories

Logo
Corner protections & basket profile
Bag hook
Bottle rack
Advertising holder
Promobox
Basket divider

Small basket divider
Individual scan holder
Baby seat
Double function seat
Double baby seat
Baby cradle
Wire cradle

Handles and coin locks

Variloc coin lock
Smartloc coin lock
Euroloc coin lock
Starting chain
Standard round handle
Ergogrip oval handle
Ergobox handle
Ergostick endcaps + Round handle
Ergostick endcaps + Ergogrip handle

90L Tubular Metal

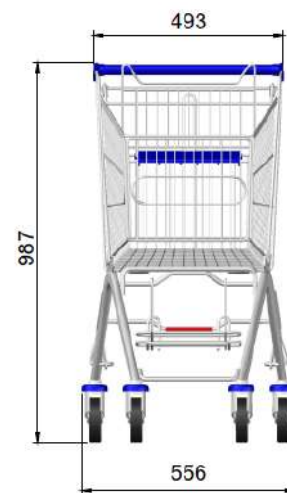
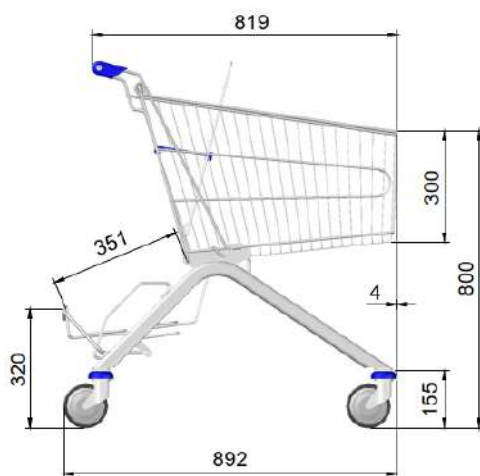


90L tubular metal supermarket trolley, with an anti-theft oval tube platform that prevents placing products under the basket, helping to reduce theft.

Designed for use in supermarkets and other retail environments.



Dimensions



Technical specifications

- Length (mm): 892
- Width (mm): 556
- Height (mm): 987
- Nesting distance (mm): 175
- Space for 5 trolleys (m): 1.59
- Space for 10 trolleys (m): 2.77
- Space for 15 trolleys (m): 3.34
- Space for 25 trolleys (m): 5.09
- Weight: 18.8 kg
- Basket volume: 90 L
- Bottle rack max. load: 20 kg
- Total maximum load: 110 kg

Wheels



R3 - 125Ø



R8 - 125Ø



R4 - 125Ø

Accessories

Logo
Corner protections & basket profile
Bag hook
Foldable bottle rack

Promobox
Individual scan holder
Baby seat
Advertising holder

Handles and coin locks

Variloc coin lock
Smartloc coin lock
Euroloc coin lock
Starter chain
Standard round handle
Ergogrip oval handle
Ergobox / Relaxt handle
Ergostick endcaps + round handle
Ergostick endcaps + Relaxt handle

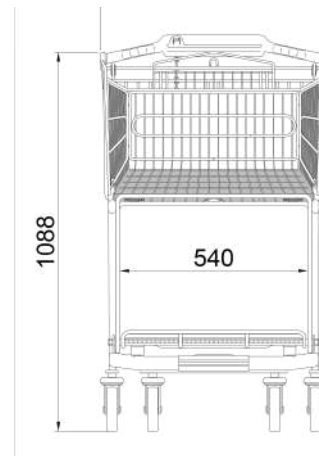
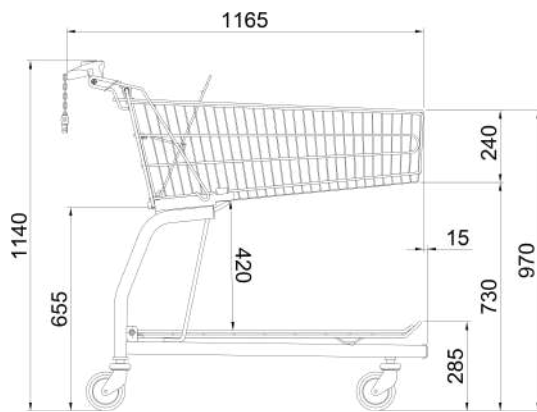
140L Cash & Carry trolley "B"

Shopping trolley equipped with a large platform for heavy loads, making it the ideal choice for high-turnover environments such as Cash & Carry.

Offers a high load capacity thanks to an approximate 435mm distance between the basket and the platform, allowing comfortable and efficient transport of bulky products.



Dimensions



Technical specifications

- Length (mm): 1165
- Width (mm): 650
- Height (mm): 1140
- Nesting distance (mm): 260
- Space for 5 trolleys (m): 2.21
- Space for 10 trolleys (m): 3.51
- Space for 15 trolleys (m): 4.81
- Space for 25 trolleys (m): 7.41
- Weight: 34.4 Kg
- Basket maximum load: 140 kg
- Grill base max. load: 160 kg
- Total maximum load: 300 kg

Wheels



R3 - 125Ø



R4 - 125Ø



R8 - 125Ø

Accessories

Logo
Corner protections & basket profile
Bag hook
Flag pole
Hanger support
Advertising holder

Handles and coin locks

Variloc coin lock
Smartloc
Euroloc coin lock
Starting chain
Round handle
Ergobox handle

Transport **Trolleys**

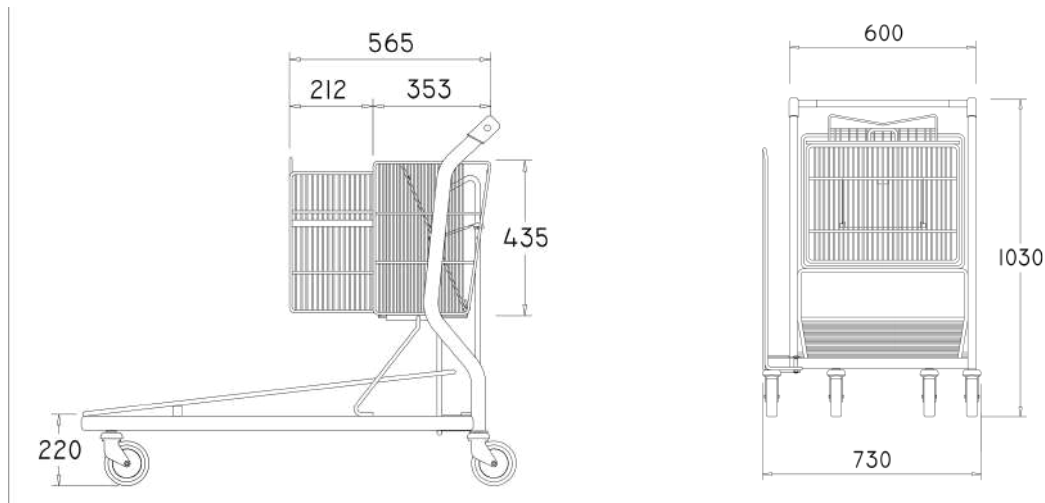
Mix Trolley with seat & PH

The mix trolley with baby seat and panel holder (PH) is a versatile and functional solution, designed to optimize the transport of different types of loads in a single model. Its design allows the safe transport of babies and trays, adapting to the needs of industrial and commercial environments.

Robust and practical, it facilitates the organization and handling of materials, offering stability, ease of use and durability for daily work.



Dimensions



Technical specifications

- Length (mm): 1150
- Width (mm): 730
- Height (mm): 1030
- Nesting distance (mm): 305
- Space for 5 trolleys (m): 2.37
- Space for 10 trolleys (m): 3.9
- Space for 15 trolleys (m): 5.42
- Space for 25 trolleys (m): 8.74
- Weight: 36.5 kg
- Basket volume: 110 L / 69 L
- Seat maximum load: 15 kg
- Grill base max. load: 100 kg
- Panel holder max. load: 50 kg
- Total maximum load: 250 kg

Accessories

Logo
Extendable basket
Baby seat
Baby seat double function
Hanger support

Wheels



R3 - 125Ø



R4 - 125Ø



R8 - 125Ø

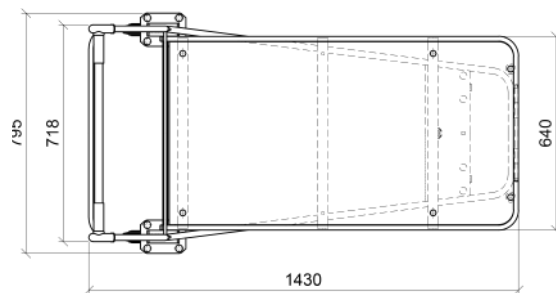
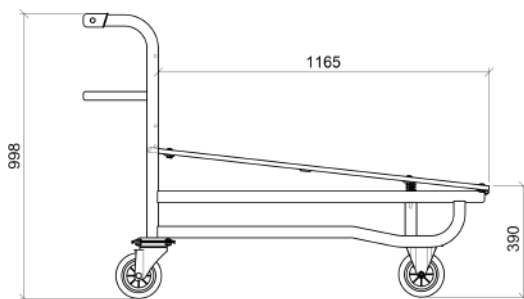
STD Treated Wooden Base Trolley

The STD trolley is the ultimate transport trolley. Its optimized structural design ensures a perfect combination of agility and strength, allowing comfortable handling even with heavy loads.

The main platform is made of treated wood, making the trolley designed to offer long service life and reliable performance in industrial and logistics environments.



Dimensions



CODIGO: CMFPASP1003

Technical specifications

- Length (mm): 1430
- Width (mm): 800
- Height (mm): 998
- Nesting distance (mm): 305
- Space for 5 trolleys (m): 2.65
- Space for 10 trolleys (m): 4.18
- Space for 15 trolleys (m): 5.7
- Space for 25 trolleys (m): 8.75
- Weight: 38.9 Kg
- Total maximum load: 600 kg

Accessories

Logo
Safety arch
Notepad rest
Foldable upper basket
Small upper basket
Lower basket
High capacity lower basket

Wheels



R108 - 160Ø



R120 - 160Ø



R109 - 160Ø



R121 - 160Ø



R110 - 200Ø



R123 - 160Ø



R111 - 200Ø



R124 - 160Ø

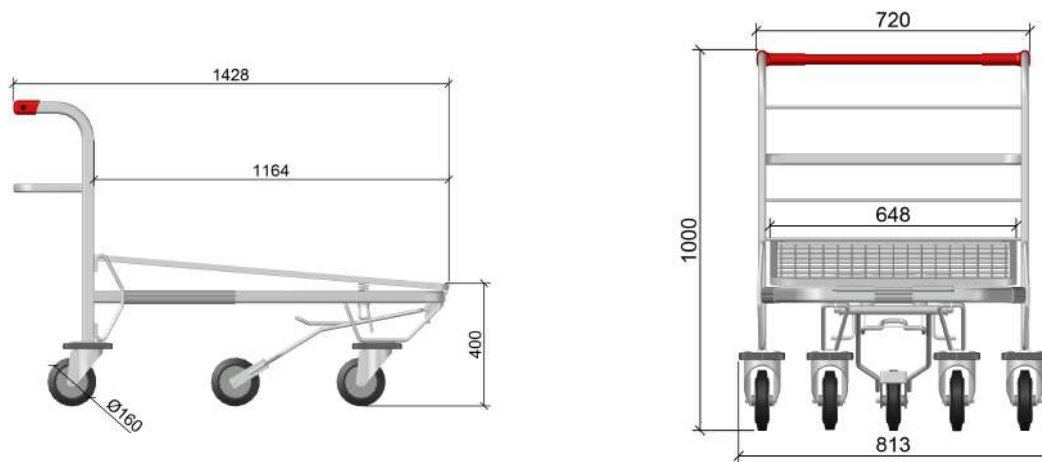
TR5 STD Trolley

High-strength, high-capacity transport trolley designed for the safe handling of bulky loads. It features an extra-long platform, available in wire or wood, ensuring stability and safety during transport.

Equipped with four Ø200 mm swivel wheels and a fifth fixed central Ø160 mm wheel, providing excellent maneuverability and smooth movement in all directions, even with heavy loads.



Dimensions



Technical specifications

- Length (mm): 1428
- Width (mm): 813
- Height (mm): 1000
- Nesting distance (mm): 335
- Space for 5 trolleys (m): 2.77
- Space for 10 trolleys (m): 4.44
- Space for 15 trolleys (m): 6.12
- Space for 25 trolleys (m): 9.47
- Weight: 37.5 kg
- Total maximum load: 600 kg

Accessories

Logo
Safety arch
Notepad rest
Foldable upper basket
Small upper basket
Lower basket
High capacity lower basket

Wheels



Nestable Panel Holder

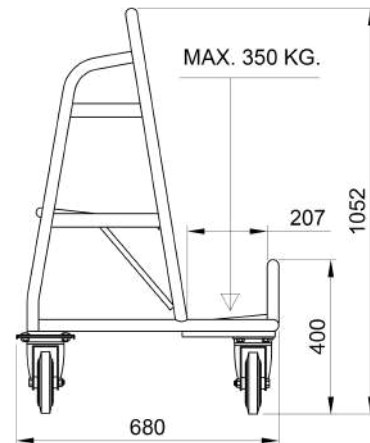
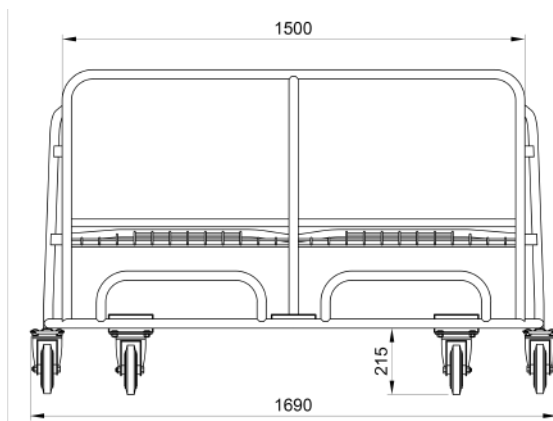
The most versatile panel holder trolley in the range, designed to offer high load capacity.

Thanks to its rear shelves, it allows the transport of a larger number of items in an organized and efficient manner.

Its design ensures perfect nestability, optimizing storage and space management.



Dimensions



Technical specifications

- Length (mm): 1690
- Width (mm): 680
- Height (mm): 1052
- Nesting distance (mm): 265
- Space for 5 trolleys (m): 1.74
- Space for 10 trolleys (m): 3.07
- Space for 15 trolleys (m): 4.39
- Weight: 32.4 kg
- Max. load: 400 kg

Accessories

Logo
Flag pole
Variloc coin lock

Wheels



R108F - 160Ø
Swivel with brake



R108 - 160Ø
Swivel

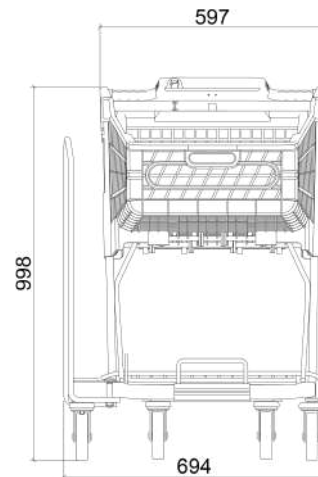
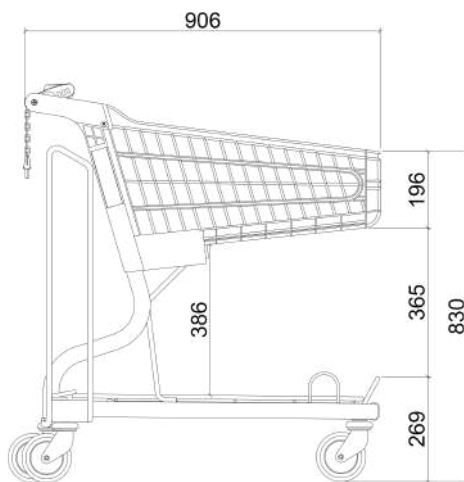
90L Techno-DIY

Designed to meet the demands of DIY and garden centers. Its load-resistant platforms and accessories make it a versatile and effective solution for transporting heavy or bulky products.

Lightweight, attractive and robust, the Techno-DIY trolley offers functionality, design and durability in a single product.



Dimensions



Technical specifications

- Length (mm): 906
- Width (mm): 694
- Height (mm): 998
- Nesting distance (mm): 230
- Space for 5 trolleys (m): 1.83
- Space for 10 trolleys (m): 2.98
- Space for 15 trolleys (m): 4.26
- Space for 25 trolleys (m): 6.43

- Weight: 23.1 Kg
- Basket volume: 90 L
- Basket maximum load: 90 kg
- Total maximum load: 250 kg
- Grill base max. load: 110 kg
- Panel holder max. load: 50 kg

Accessories

Logo
Scan holder
Individual scan holder
Cup holder
Location flag
Wire cradle
Baby cradle
Double function seat

Handles and coin locks

Variloc coin lock
Smartloc coin lock
Sarting chain
Standard round handle
Ergobox handle
Plus endcaps + round handle
Plus endcaps + Ergobox handle

Wheels



R3 - 125Ø



R4 - 125Ø



R8 - 125Ø

Goods **Trolleys**

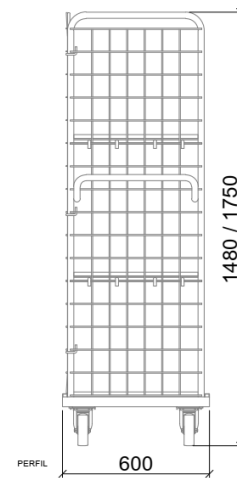
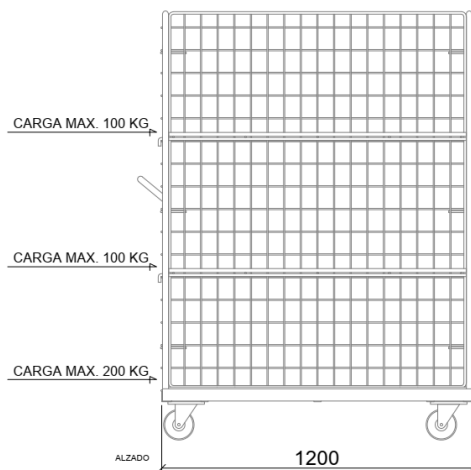
Goods Trolley

The most robust solution for restocking, designed to provide strength, versatility, and ease of handling. Its structure allows agile use in daily operations, adapting to various operational needs.

It offers the option to replace the rear grid with upper bracing tubes, providing greater flexibility depending on the type of load and application.



Dimensions



Technical specifications

- Length (mm): 1200
- Width (mm): 600
- Height (mm): 1480-1750
- Max. total load: 400 kg
- Max. base load: 200 kg
- Max. shelf load: 100 kg
- Weight H. 1480: 73 kg
- Weight H. 1750: 78 kg

Wheels



R102 - 100Ø
Swivel



R103 - 100Ø
Fixed



R104 - 125Ø
Swivel - white
nylon



R105 - 125Ø
Fixed - white nylon

Accessories

Wooden shelf
Wire shelf

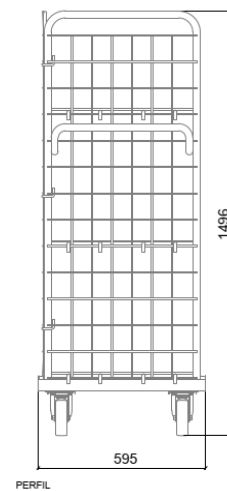
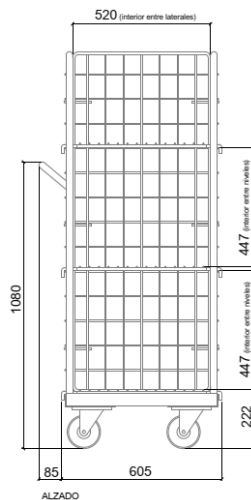
600x600 Warehouse Trolley

Trolley designed to provide maximum strength for restocking tasks, combining high durability, versatility and ease of use. Its optimized structural design ensures agile, comfortable and efficient handling in daily operations.

It includes the option to replace the rear grid with upper bracing tubes, allowing flexible adaptation to different types of loads and various operational needs.



Dimensions



Technical specifications

- Length (mm): 1200
- Width (mm): 600
- Height (mm): 1480-1750
- Total maximum load: 350 kg
- Base max. load: 250 kg
- Shelf max. load: 50 kg
- Weight: 50 kg

Wheels



R102 - 100Ø
Swivel



R103 - 100Ø
Fixed



R104 - 125Ø
Swivel - white
nylon



R105 - 125Ø
Fixed - white
nylon

Accessories

Wooden shelf
Wire shelf

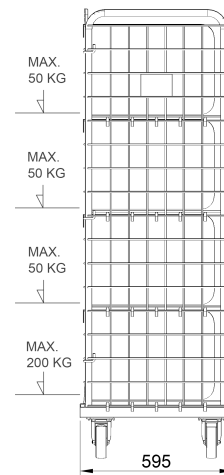
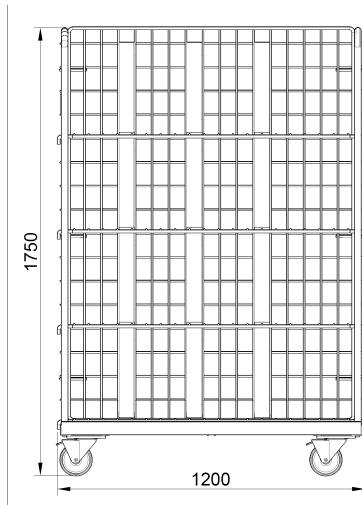
Postal Trolley

Trolley specifically designed for the preparation, sorting and organization of mail and parcels. Its multi-level structure with dividers makes it an agile, efficient and highly versatile solution, standing out as one of the most comprehensive options on the market in this sector.

Thanks to its great versatility, it is also suitable for use in other areas, particularly in promotional environments, expanding its range of applications.



Dimensions



Technical specifications

- Length (mm): 1200
- Width(mm): 595
- Height (mm): 1750
- Total maximum load: 350 kg
- Base maximum load: 200 kg
- Shelf maximum load: 50 kg
- Weight with dividers: 98 kg
- Weight without dividers: 78 kg

Wheels



R102 - 100Ø
Swivel



R116 - 100Ø
Swivel - rubber band



R103 - 100Ø
Fixed



R117 - 100Ø
Fixed rubber band



R104 - 125Ø
Swivel - white nylon



R118 - 125Ø
Swivel rubber band



R105 - 125Ø
Fixed - nylon



R119 - 125Ø
Fixed rubber band

Accessories

Dividers

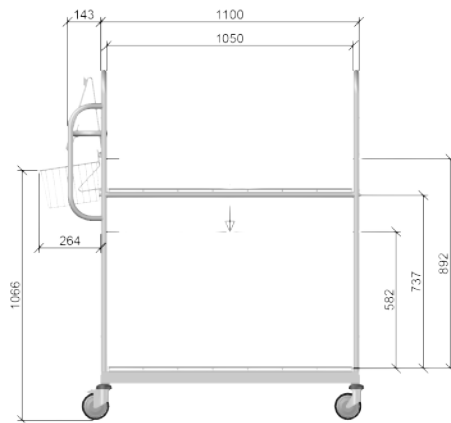
Light Picking Trolley

Versatile trolley for order preparation in sales areas.

Its new, lighter and more manageable design makes it ideal for small spaces without sacrificing high load capacity. It features an adjustable-height tray for increased functionality.



Dimensions



Technical specifications

- Length (mm): 1243
- Width (mm): 603
- Height (mm): 1493
- Total max. load: 200 kg
- Base max. load: 150 kg
- Shelf max. load: 50 kg
- Weight: 31 kg

Wheels



R3 - 125Ø



R125 - 125Ø
With brake

Accessories

Picking basket

Notepad rest

Laundry Roll

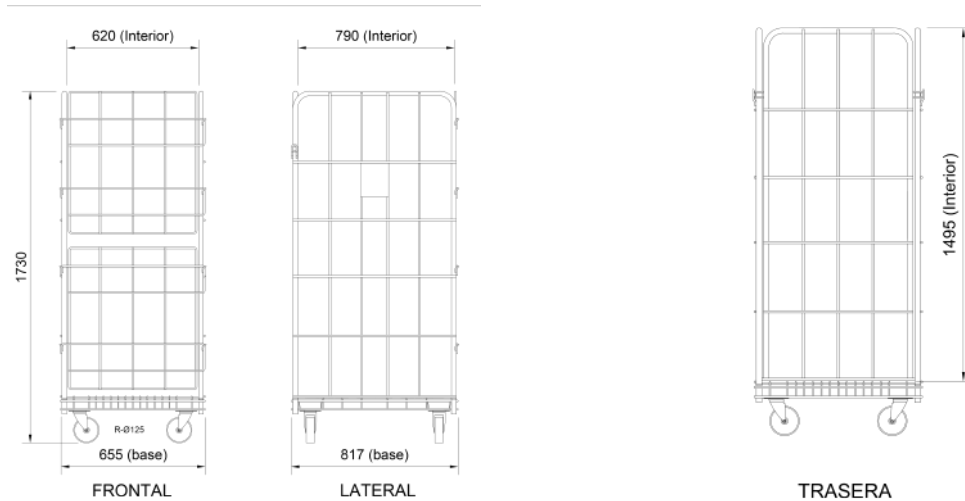
The Laundry Roll is the most robust solution for restocking in high-demand environments.

Designed to offer maximum versatility and ease of use, it allows comfortable transport and agile handling, optimizing daily laundry processes.

Its sturdy structure ensures durability and reliability, making it an essential ally for efficient and organized restocking.



Dimensions



Technical specifications

- Length (mm): 817
- Width (mm): 655
- Height (mm): 1730
- Max. load: 500 kg
- Weight: 37 kg

Wheels



R104 - 125Ø
Swivel white
nylon



R105 - 125Ø
Fixed white
nylon



R118 - 125Ø
Swivel rubber
band



R119 - 125Ø
Fixed rubber
band

Accessories

Tray

Nestable Security 4 Sides Roll Tainer



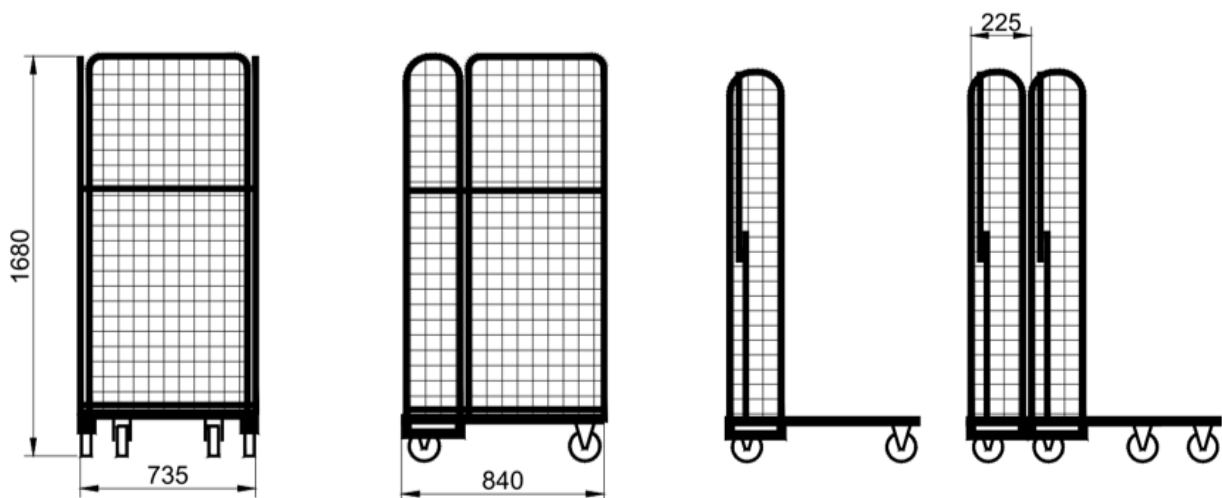
Within the traditional roll range, the nestable roll is designed to provide functionality and efficiency in logistics processes.

It features a foldable base grid with an integrated clamping bracket, ensuring proper load securing during use.

Its nestable design when empty optimizes storage space and facilitates transport when not in use, making it a practical and versatile solution.



Dimensions



Technical specifications

- Length (mm): 840
- Width (mm): 735
- Height (mm): 1680
- Nesting (mm): 225
- Max. load: 500 kg
- Weight: 53.2 kg

Wheels



R104 - 125Ø
Swivel white
nylon



R105 - 125Ø
Fixed white nylon



R118 - 125Ø
Swivel rubber
band



R119 - 125Ø
Fixed rubber band

Accessories

Road shelf

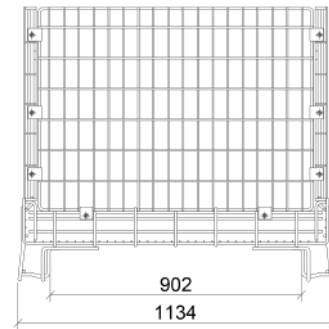
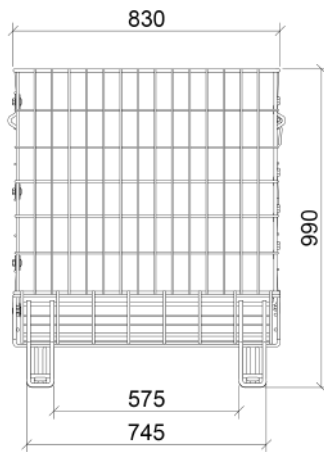
Standard Pleg Container

Modular container with dimensions slightly larger than the pallet concept, designed to provide greater load capacity. Its robust and simple structure includes a stacking system that allows the rapid and efficient creation of a customized storage solution, tailored to the needs of each space. Fully foldable, it facilitates transport and storage while occupying minimal space when not in use.

Additionally, with the addition of the wheels, it becomes a highly useful mobile element, offering versatility and functionality in any logistics environment.



Dimensions



CODIGO: CMFPASP1003

Technical specifications

- Length (mm): 1134
- Width (mm): 830
- Height (mm): 990
- Max. load: 1000 kg
- Capacity: 750 L
- Weight: 49 kg

Accessories

Side door
Horizontal divider
Vertical divider
Double leg

Wheels



R104 - 125Ø
Swivel white
nylon



R105 - 125Ø
Fixed white nylon

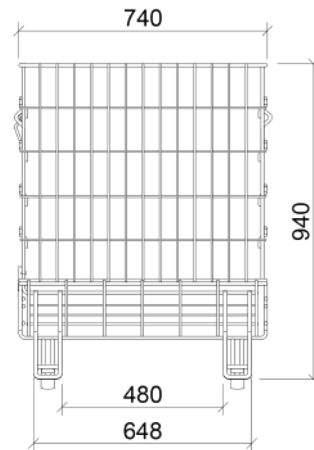
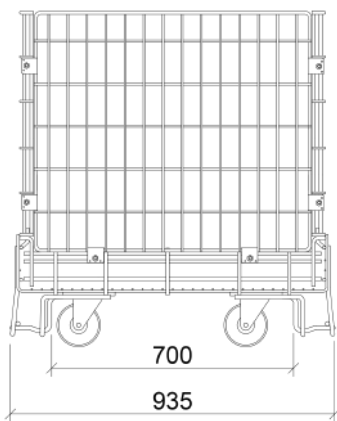
Metre Container with Wheels

Modular container with dimensions that allows it to fit into shelf metro modules, offering optimal integration in storage spaces. Its use as a rolling container adds extra usability, expanding its functionalities. With a robust structure and simple design, its stacking system allows the rapid and efficient creation of a well-organized storage area.

Fully foldable, it facilitates transport and storage while occupying minimal space when not in use, and with the addition of wheels it becomes a highly useful mobile container in any warehouse.



Dimensions



Technical specifications

- Length (mm): 935
- Width (mm): 740
- Height (mm): 969

Accessories

Vertical divider

Wheels



R104 - 125Ø
Giratoria nylon
blanco



R105 - 125Ø
Fija nylon blanco



Plastic features

Consists of a basket made of polypropylene polymer material and metal tube platform. The platforms feature different types of wheels to adapt the trolleys to various surfaces.

The trolley handle is available in both metal tube and thermoplastic polymer material.

Trolleys are manufactured in accordance with the requirements of the following standards: UNE EN 1921-1 / UNE EN 1929-2 / UNE EN 1923-3 / UNE EN 1924-4 / UNE EN 1929-7.

Materials

Round handles in plastic or metal.

For smaller trolleys (100-98-80): Plastic handle Ø25mm, made of high-quality PVC, coated with plastified adhesive for custom screen printing, and with a transparent methacrylate sleeve for enhanced UV protection.

For other trolleys: Metal tube handle, diameter 25 x 1.5 mm thickness, made of high-quality electro-galvanized steel, with end crimping to prevent rotation.

Thermoplastic polymer handles

ERGOBOX/ERGONEXT/RELAXT handles: Made from ASA/PC polymer material (Acrylonitrile Styrene / Polycarbonate), providing both high impact resistance and high rigidity. Offers good resistance to UV radiation, outdoors and heat.

Basket and rear grid

Made from injected polypropylene polymer material with UV protection, resistant to acids, detergents and saline solutions, free of electromagnetic incompatibility. Excellent structural grid transparency.

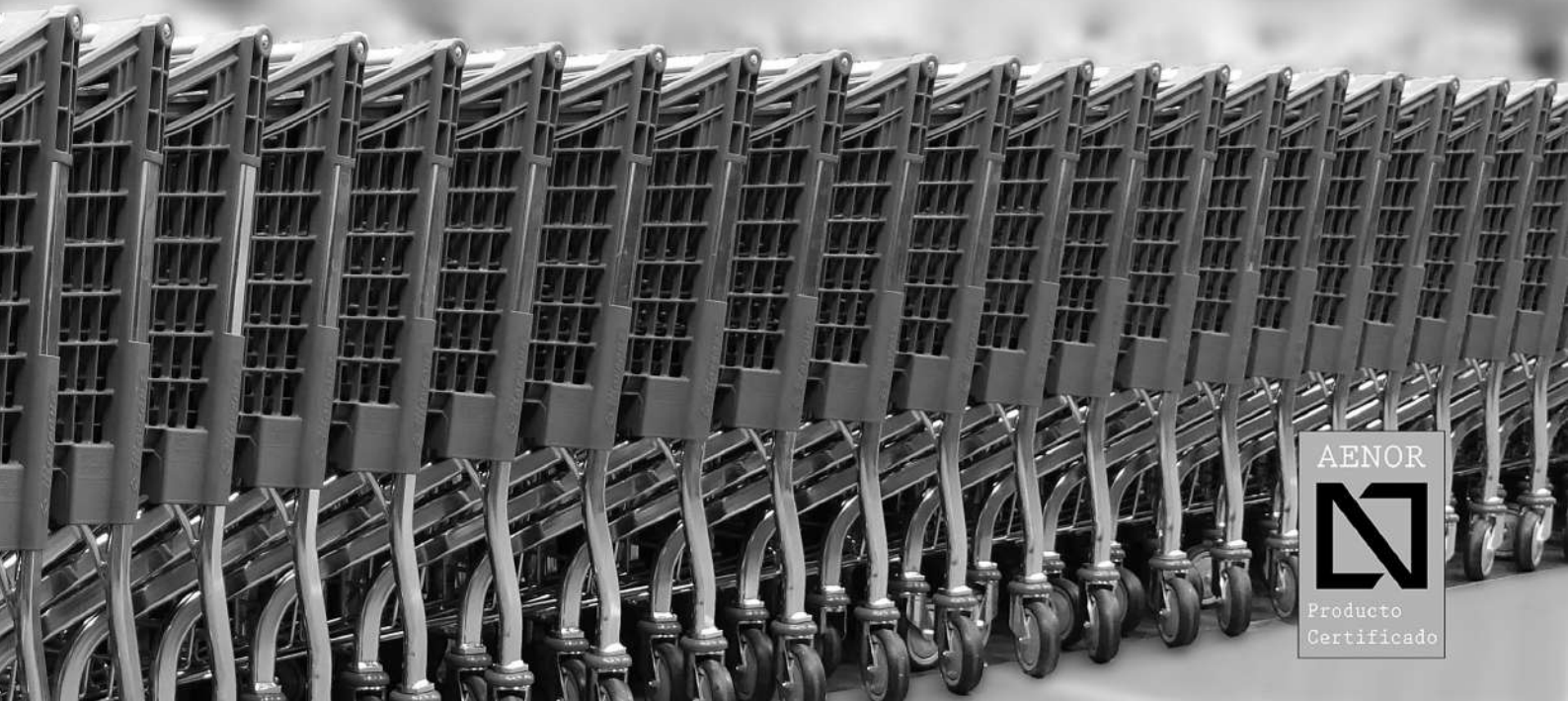
Platform

Metal platform made of high-quality steel, manufactured according to standards UNE EN 16120-2 / UNE EN 10305, composed of rods with diameters of 11.8 and 13.5 mm, oval tubes of 40 x 20 x 2 mm and wheel mounting plates 8 mm thick. Welded joints with average penetration of 15% for rods and with added material in other joints.

For the 100 liter Multigrip trolley, a new option of an injected plastic platform in reinforced polypropylene is available.

Coatings

- Zinc plating: Electrolytic zinc treatment with a coating of 10 - 25 microns.
- Transparent polyester: Electrostatic powder coating of 90 - 100 microns, polymerized at 200°C



Metal features

Trolleys made of metal baskets, platforms and grids. The platforms feature various types of wheels to adapt the trolleys to different surfaces.

The trolleys handle is available in both metal tube and thermoplastic polymer material.

Trolleys are manufactured in accordance with the requirements of the following standards: UNE EN 1929-1 / UNE EN 1929-2 / UNE EN 1923-3 / UNE EN 1929-4 / UNE EN 1929-7.

Materials

Round handles in plastic or metal:

Plastic handle Ø 25 mm, made from high-quality PVC, coated with plastified adhesive for custom screen printing, and with a transparent methacrylate sleeve for enhanced UV protection.

For extreme conditions: Metal handle Ø25 x 1.5 mm thickness made from high-quality electro-galvanized steel, with end crimping to prevent rotation.

Thermoplastic polymer handles

ERGOBOX / ERGONEXT / RELAXT handle: made from ASA/PC polymer (Acrylonitrile styrene / polycarbonate), providing high impact resistance and rigidity. Offers good resistance to UV radiation, outdoors and heat.

Basket, platform and rear grid

Metal components made of high-quality steel, manufactured according to UNE EN 16120-2 / UNE EN 10305 standards.

Baskets and grids made from rods with diameters of 3 to 9 mm. Welded joints with average penetrations of 15%.

Platforms made of rods with diameters of 9.5, 11.8 and 13.5mm, oval tubes 40 x 20 x 2 mm, tubes Ø 25 x 1.5 mm and wheel mounting plates 8 mm thick. Welded joints with average penetration of 15% for rods and reinforced joints for other connections.

Coatings

- Zinc plating: Electrolytic zinc treatment with a coating of 10 - 25 microns.
- Transparent polyester: Electrostatic powder coating of 90 - 100 microns, polymerized at 200°C.

60th Anniversary



Marsanz celebrates its 60th anniversary with a new image, enhancing its products and following the acquisition of Joalpe.

This year, **Marsanz** celebrates its 60th anniversary. Six decades of experience, innovation and commitment to quality have been the pillars guiding every step of our growth.

To commemorate this significant milestone, we present a new corporate image that reflects who we are today: a solid, modern and ever-evolving company, ready to face the challenges of the future while preserving the essence that has accompanied us since our beginnings.

This anniversary also marks the launch of a new product catalogue, developed to offer current, functional solutions aligned with market needs. A renewed proposal that expands our portfolio and reaffirms our commitment to innovation and design.

Additionally, in this journey of growth, **Marsanz** has incorporated the Portuguese company **Joalpe**, a strategic acquisition that strengthens our international presence and allows us to continue advancing with a global vision.

Sixty years later, we continue looking to the future with the same enthusiasm as on day one, supported by the trust of our clients and the talent of our team.

Thank you for joining us on this journey!



Headquarters

Calle Hierro, 27 28850
Torrejon De Ardoz Madrid
(España - Spain)
(+34) 91 675 14 34
(+34) 91 677 10 92
creaciones@marsanz.es

Factories

Torrejon de Ardoz (Madrid)
Ugena (Toledo)

International

export@marsanz.es
www.marsanz.es

France

99 Boulevard de la Reine
78000 Versailles
+33 (0)130 596 667
info@Marsanz.fr
www.marsanz.fr

United Kingdom

43 High Street
Uppermill, Oldham
Warwickshire OL3 6Hs
+44 (0) 1618818515
info@Marsanz.co.uk
www.marsanz.co.uk

Delegations in Spain

Barcelona

Poligono Industrial Moli D'en Xech
C/ Barneda, Nave 25
08291 Ripollet- Barcelona
(+34) 93 231 34 75
barcelona@marsanz.es

Alicante

C/ Campello, 13 Pol.ind. La Cala
03509 Finestrat - Alicante

(+34) 96 680 27 04
levante@marsanz.es

Sevilla

Avda. Del parsi pol.ind. Mini
parsi, nave 9 41016 sevilla
(+34) 95 451 12 45
andalucia@marsanz.es

